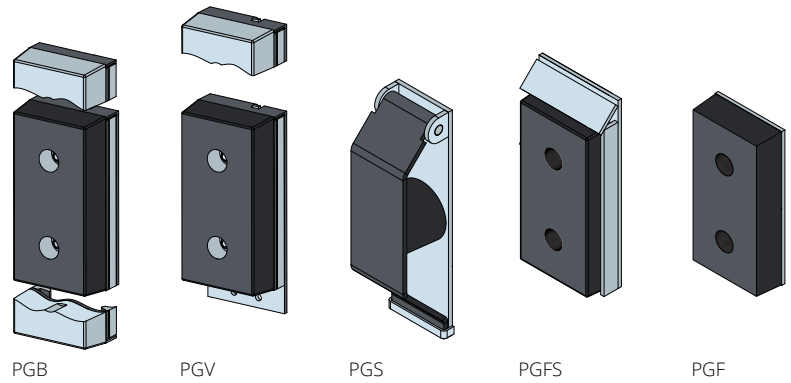


OUR LOADING TECHNIQUE IS ASTONISHING.

PROMStahl loading technique is based on high quality, durable and safe solutions for loading vehicles or containers. By deciding to purchase PROMStahl product, you make a right choice: innovative product development works, individual planning, competent advisors, certified production and professional assembly, as well as reliable service and regular maintenance of your equipment are integral parts of our assortment.

Buffers



Type PBGP

Rubber buffer without steel plate

The PBGP products are standard low-cost high-quality rubber buffers with a high resistance to wear and tear. All rubber elements are made of high-quality new rubber material ensuring a long service life. The rubber elements are available in 90 mm and 140 mm thickness.



Type PGF

Fixed-position buffers

PGF 90 and PGF 140 are designed for extremely high impact forces hence ensuring a long service life. The rubber elements are available in 90 mm and 140 mm thickness.



Type PGV

Height-adjustable buffers

These buffers are used for loading and unloading of vehicles whose lorry beds are higher than dock level. Height-adjustable buffers can be lifted by up to 250 mm above dock edge. During loading and unloading the buffer adjusts to the lorry's vertical movements. It moves up to 50 mm upwards and 250 mm downwards. Thus, the buffer's wear is reduced to minimum and its durability is extended.

After docking the buffer can be fixed at dock level so that the lorry tailgates can be opened. The rubber elements are available in 90 mm and 140 mm thickness.

