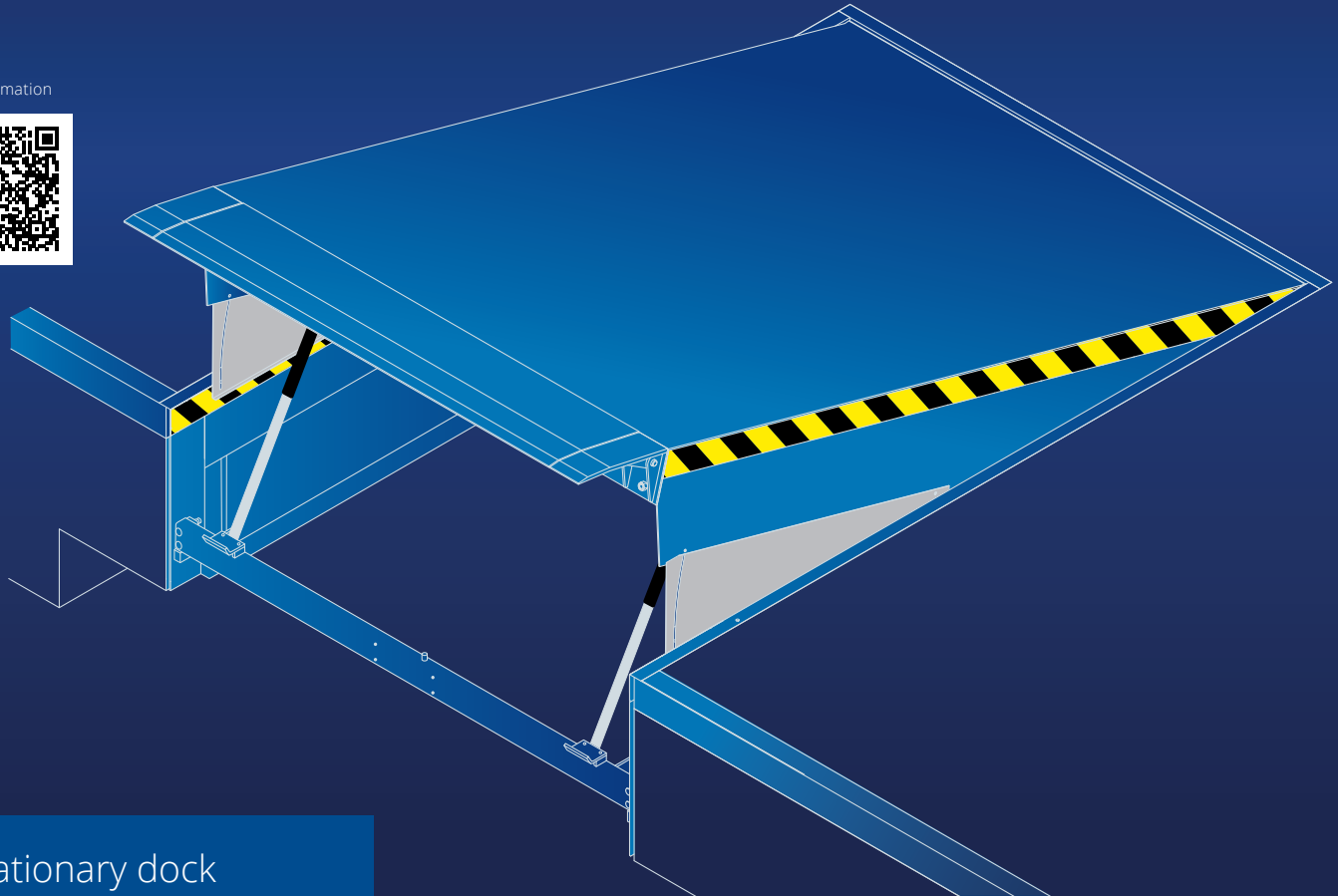


# OUR LOADING TECHNIQUE IS ASTONISHING.

PROMStahl loading technique is based on high quality, durable and safe solutions for loading vehicles or containers. By deciding to purchase PROMStahl product, you make a right choice: innovative product development works, individual planning, competent advisors, certified production and professional assembly, as well as reliable service and regular maintenance of your equipment are integral parts of our assortment.

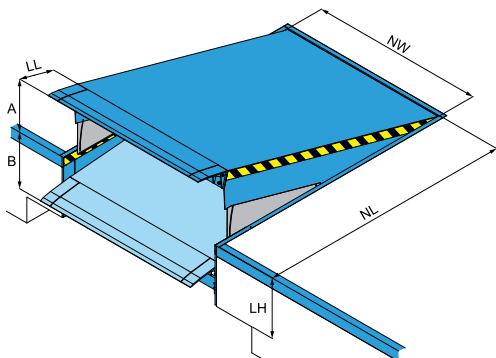
More information



## Stationary dock leveller with hinge lip

### Type PS

The **stationary dock leveller with swing lip (PS)** is a new product of PROMStahl's wide product range. This top-quality product benefits from over 25 years of experience in designing and manufacturing docking systems. The electro-hydraulic PS leveller is operated at the touch of a button. As soon as the platform has reached its highest position the lip swings out automatically and comes to rest on the lorry bed. During loading and unloading the PROMStahl dock leveller follows the movements of the vehicle (automatic floating position).



Dock leveller		LL = 400		LL = 500	
NL	LH	A	B	A	B
1.750	700	250	325	185	345
2.000	600	290	270	-	-
2.000	700	290	350	190	340
2.500	600	360	260	-	-
2.500	700	380	315	260	326
3.000	600	305	255	-	-
3.000	700	450	305	305	317
3.500	800	380	325	310	310
4.000	900	570	300	460	300
4.500	900	530	290	430	300
NW = 1.750, 2.000, 2.200, 2.250 for all sizes					

All dimensions in mm.

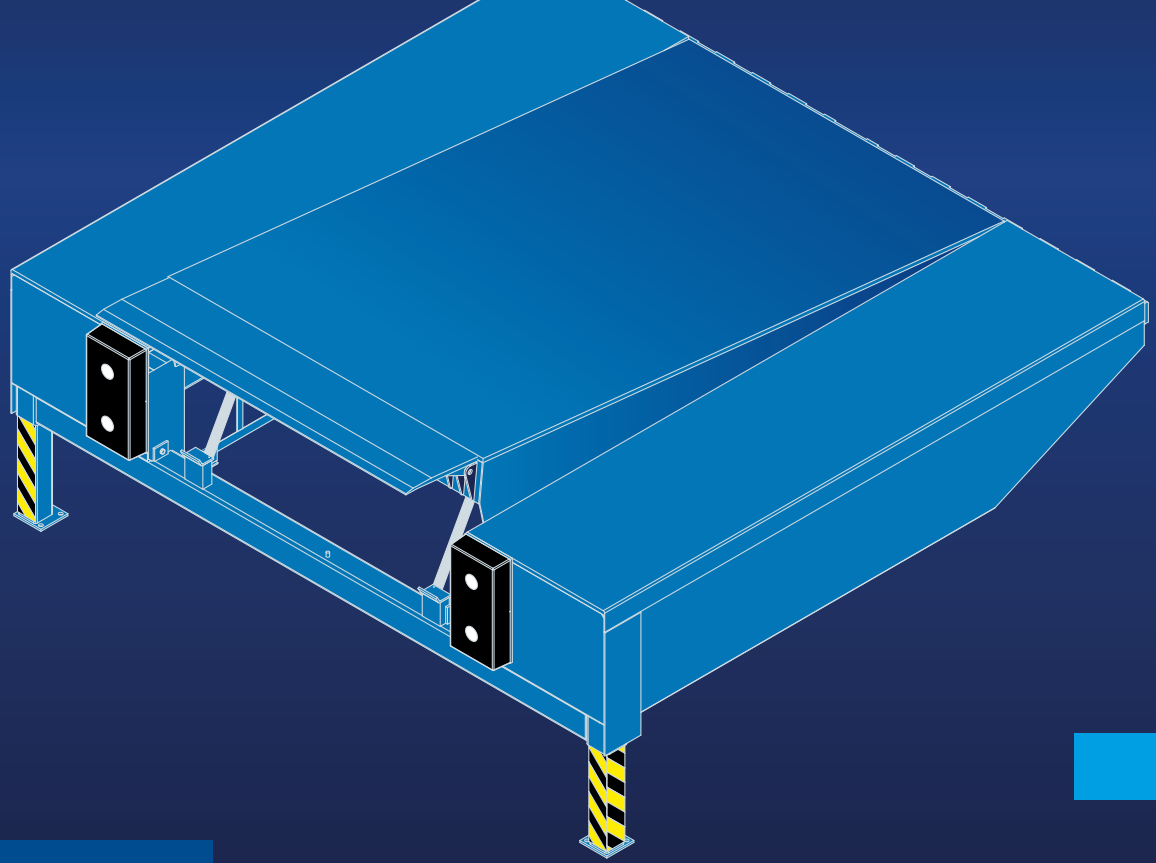
Load capacity for all sizes: 60 kN (dynamic), 84 kN (static).

NL = Nominal length, NW = Nominal width, LL = Lip length, LH = Leveller height,

A = Level equalisation above dock, B = Level equalisation below dock.

Other load capacities and sizes are available on request.

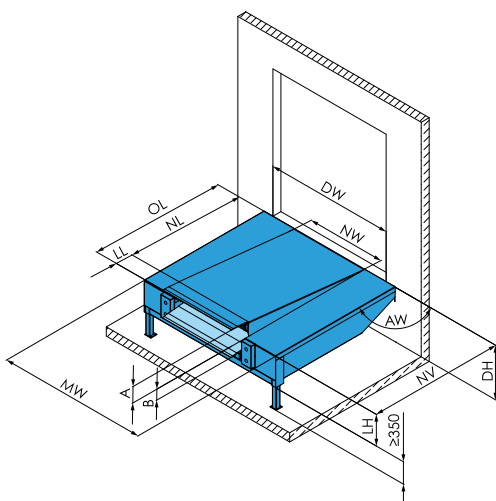
More information



## Stationary dock shelter with swing lip

### Type PAS

The **PAS ramp** is a complete loading system which is mounted in front of a door opening or a building as a self-supporting unit. It consists of a hydraulic dock leveller with a swing lip and lateral treads which are reinforced on their bottom side. The PS leveller of the PAS system is operated at the touch of a button. As soon as the platform has reached its highest position the lip swings out automatically and comes to rest on the lorry bed. It optimally adapts to all lorry types both with respect to width as well as with respect to height. During loading and unloading the PROMStahl dock leveller follows the movements of the vehicle (automatic floating position).

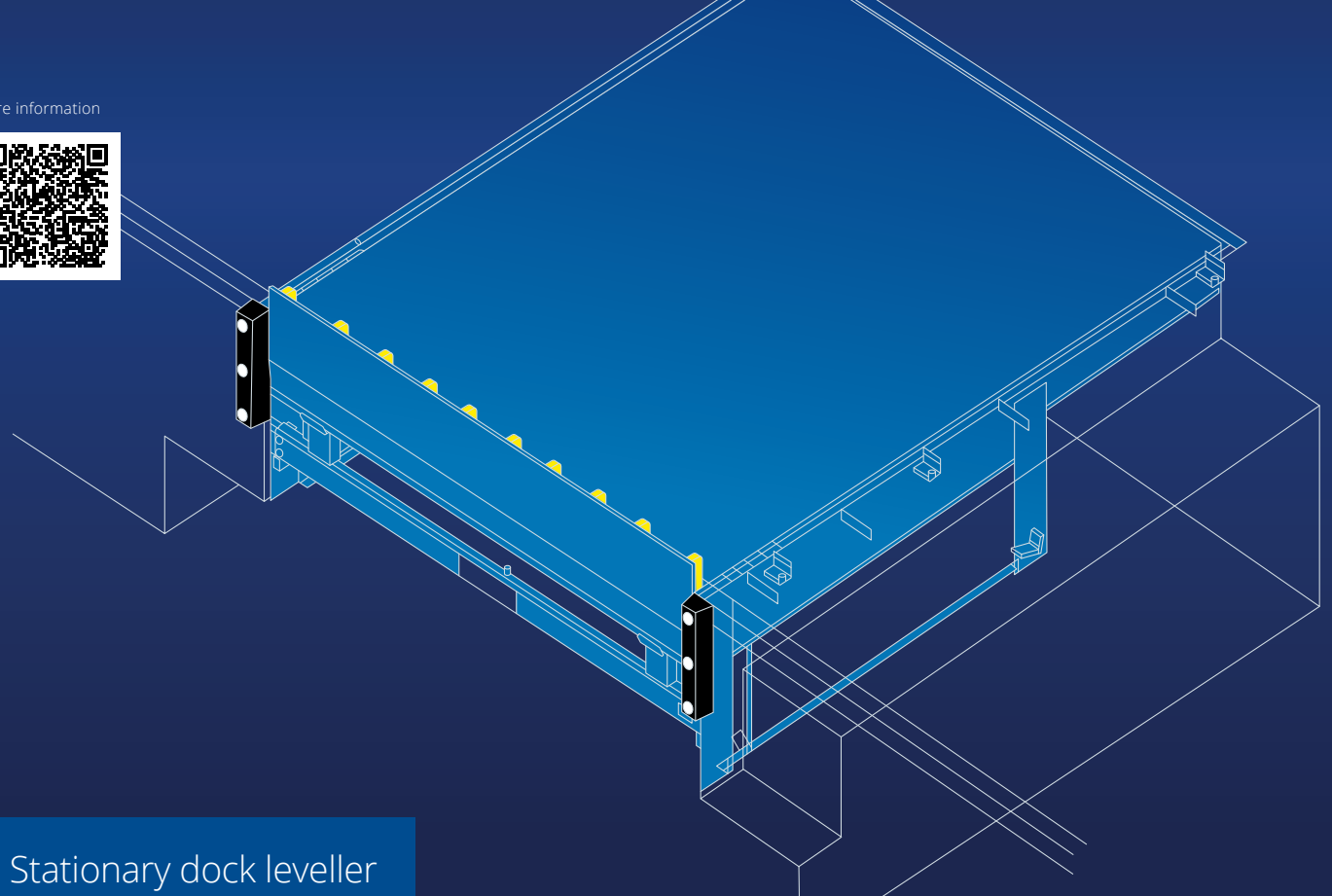


Dock leveller		LL = 400			LL = 500		
NL	LH	A	B	OL	A	B	OL
2.000	700	290	350	2.400	190	340	2.500
2.450	700	380	315	2.850	250	330	2.950
3.000	700	450	305	3.400	305	317	3.500
3.500	800	380	325	3.900	310	310	4.000

NW = 2.000, 2.200 for all sizes  
 MW = 3.300, 3.500, 3.600 for all sizes

All dimensions in mm. Load capacity for all dimensions: 60 kN (dynamic), 84 kN (static).  
 NV = Loading ramp nominal length (NL + 20), NL = Dock leveller nominal length, NW = Dock leveller nominal width, OL = Overall length (NL + LL), LL = Lip length, LH = Leveller height, DH = Dock height, DW = Dock width, MW = Loading ramp module width, A = Level equalisation above dock, B = Level equalisation below dock, AW = Installation angle.  
 (All loading ramps are available with standard installation angles of 90°, 45°/135°, 60°/120° and 75°/105°. Further angles are available on request.)

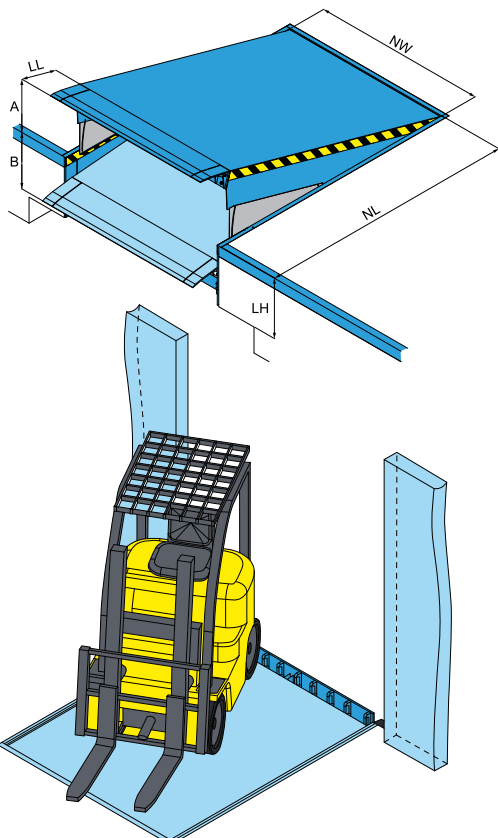
More information



## Stationary dock leveller with hinge lip and Fall Guard lock

### Type PSS

The PSS-type dock leveller with hinge lip and Fall Guard safety device is a new design in the wide range of PROMStahl products which has been designed to provide optimal safety for the loading house staff. The rapid pace of work involving handling systems in storage places or warehouses can lead to many dangerous and even life-threatening accidents with fork lift trucks. That is why the PSS-type dock leveller is equipped with the Fall Guard safety device. When the dock leveller is in its rest position, a 90 mm section of hinge lip is raised vertically above the platform surface, thus creating an obstacle and preventing the fork lift truck and the warehouse personnel from falling from the ramp.



Dock leveller		LL = 400		LL = 500	
NL	LH	A	B	A	B
2.000	600	290	270	-	-
2.000	700	290	350	190	340
2.500	600	360	260	-	-
2.500	700	380	315	260	326
3.000	600	305	255	-	-
3.000	700	450	305	305	317
3.500	800	380	325	310	310

NW = 1.750, 2.000, 2.200, 2.250 for all sizes

All dimensions in mm.

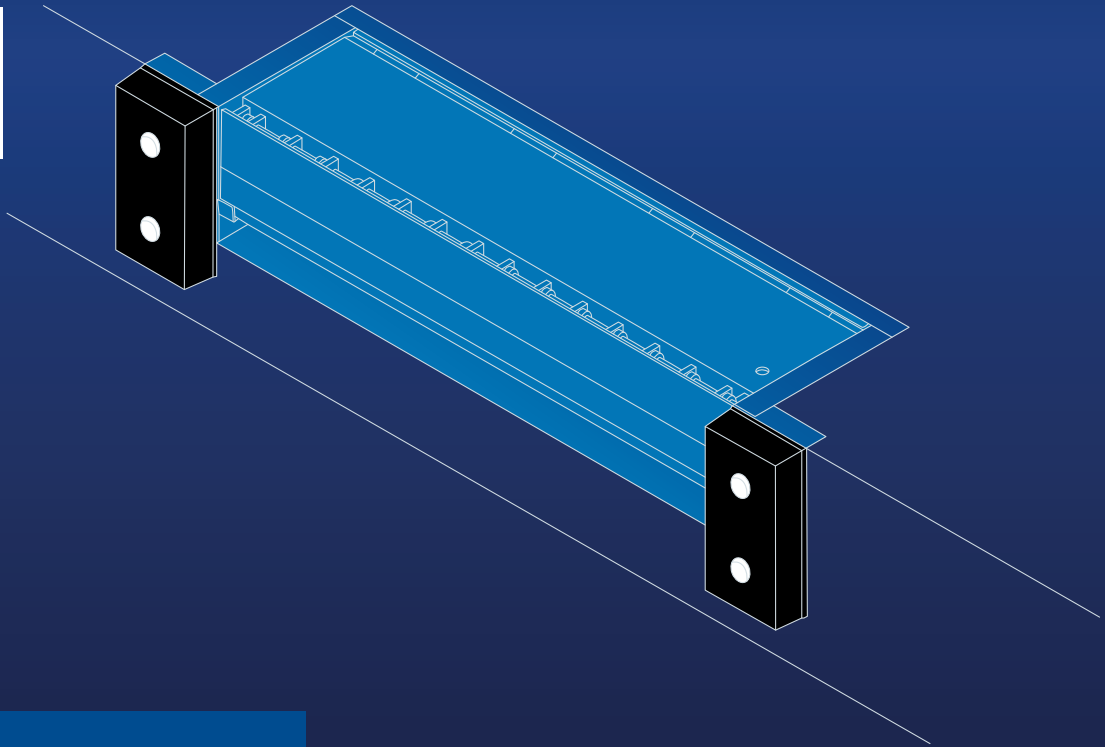
Load capacity for all sizes: 60 kN (dynamic), 84 kN (static).

NL = Nominal length, NW = Nominal width, LL = Lip length, LH = Leveller height,

A = Level equalisation above dock, B = Level equalization below dock.

Other load capacities and sizes are available on request.

More information

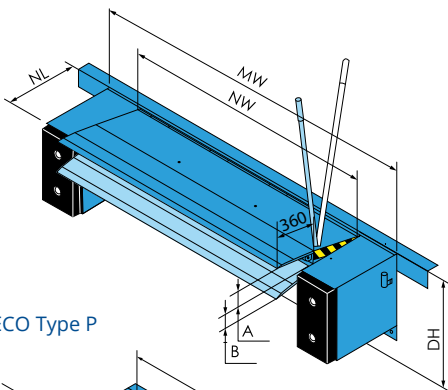


## Mechanical eco leveller

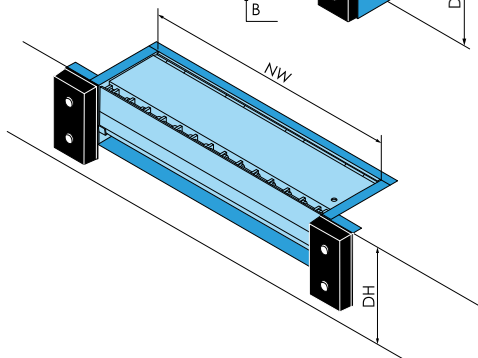
### Type PECO

The PECO mechanical eco leveller (PROMStahl ECONOMICAL) belongs to PROMStahl's wide product range and is especially suited for loading and unloading vehicles with beds the height of which only slightly differs from that of the dock. The PECO leveller is therefore the perfect solution for fleets with vehicles of nearly identical lorry bed heights.

PECO Type R



PECO Type P

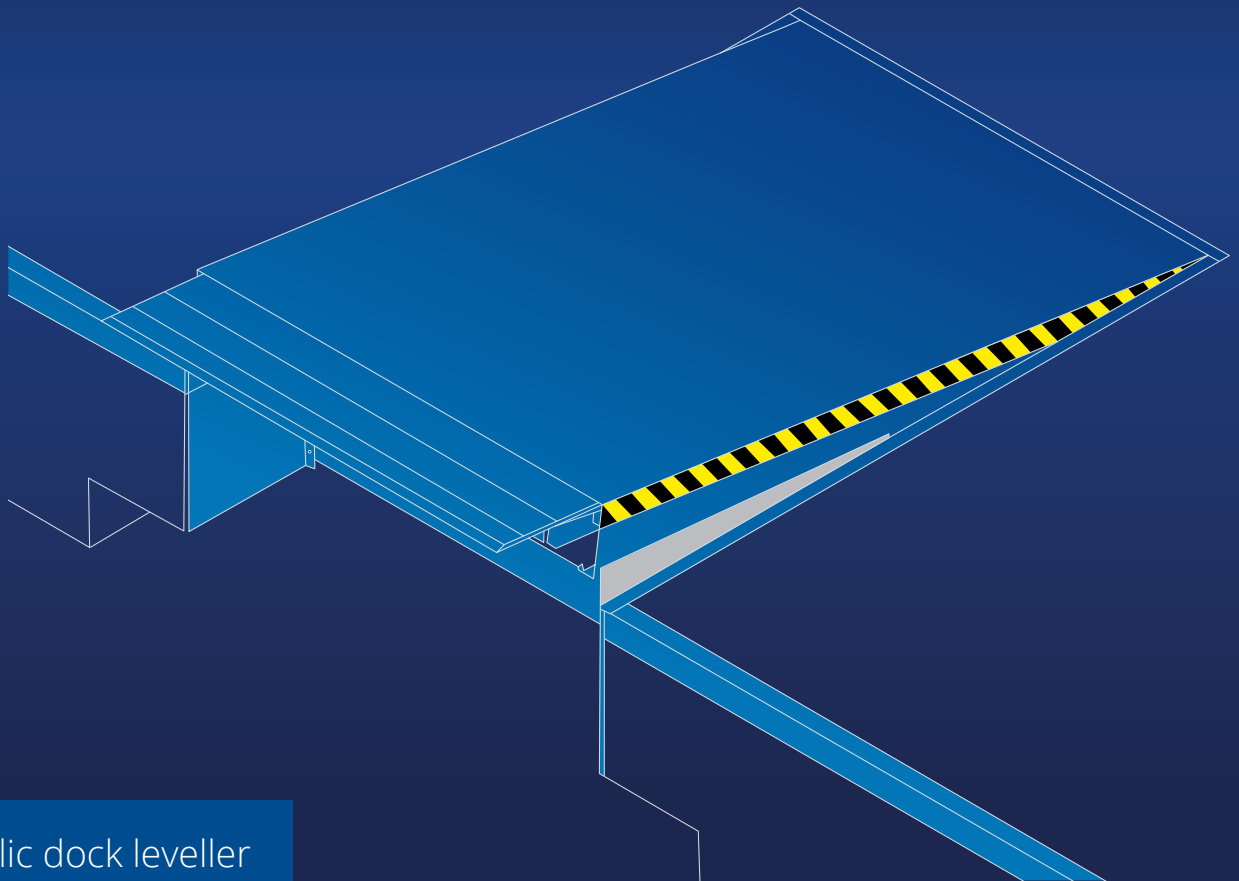


	Type R		
Nominal length (NL)	485		
Nominal width (NW)	1.750	2.000	2.250
Modular width (MW)	2.300	2.550	2.800
Load capacity (kN)	60		

	Type P		
Nominal length (NL)	485		
Nominal width (NW)	1.750	2.000	2.250
Load capacity (kN)	60		

All dimensions in mm.

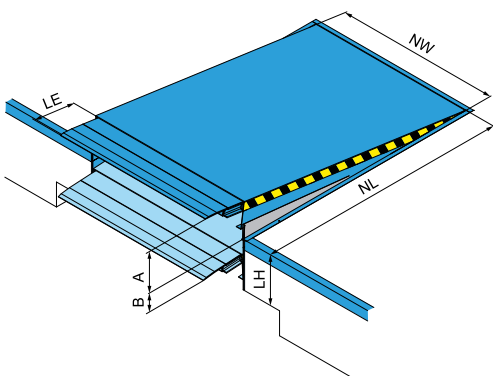
More information



## Hydraulic dock leveller with telescopic lip

### Type PT

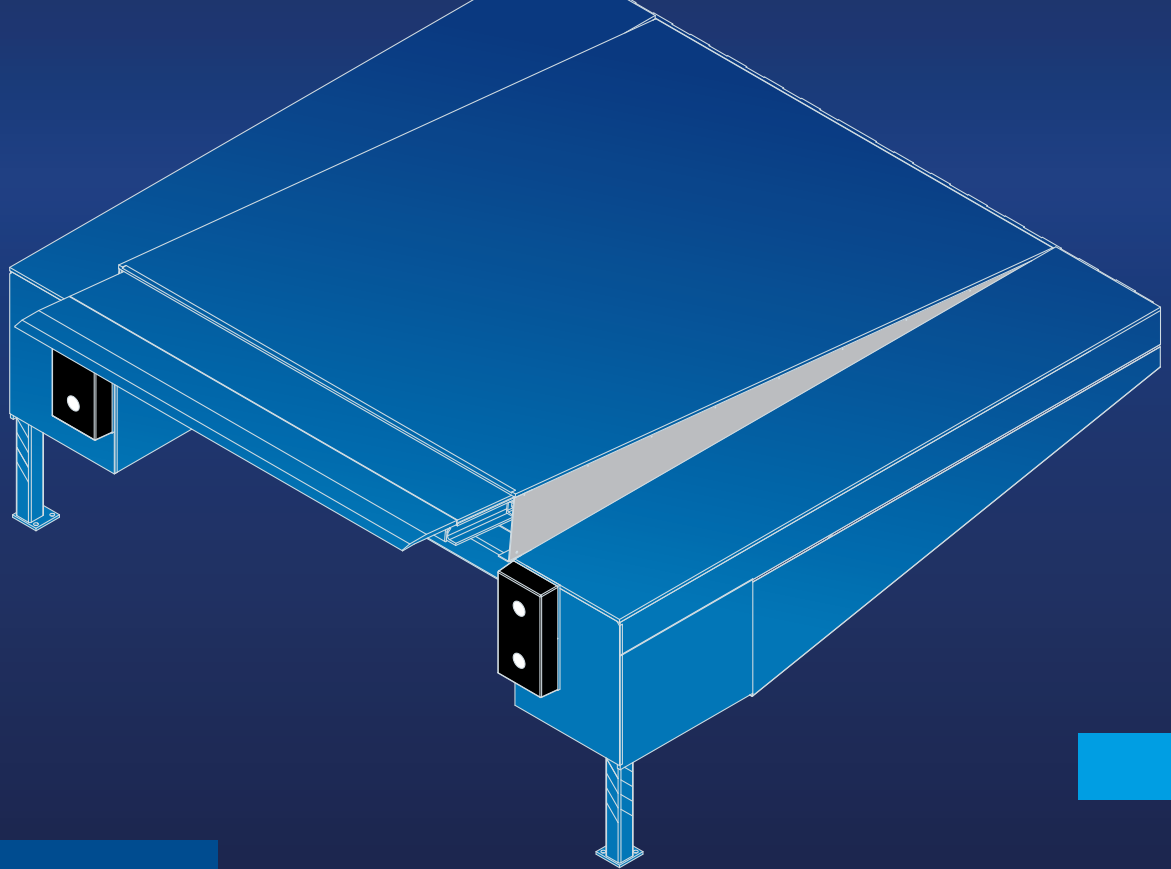
The **PT stationary dock leveller with telescopic lip** is a new product of PROMStahl's wide product range. This top-quality product benefits from over 25 years of experience in the field of design and manufacture of docking technology. The hydraulic version of the PT leveller is operated at the touch of a button and after exact positioning of the telescopic lip automatically follows the movements of the vehicle during the loading or unloading process (automatic floating position). The big advantage of this type of dock leveller is the maximum flexibility of the lip length. Thanks to this feature effective loading and unloading even of vehicles that are not completely correctly positioned can be guaranteed and time-consuming and complicated repositioning of the vehicle is not necessary.



Dock leveller		LE = 500		LE = 1.000	
NL	LH	A	B	A	B
1.750	700	300	340	-	-
2.000	600	310	280	400	330
2.000	700	315	405	380	480
2.500	600	450	285	510	300
2.500	700	450	400	520	460
3.000	600	430	285	500	280
3.000	700	430	380	500	430
3.500	800	500	500	590	500
4.000	800	530	480	590	530
4.500	800	490	470	520	510
NW = alle Größen 1.750, 2.000, 2.100, 2.200, 2.250, 2.400					

All dimensions in mm. Load capacity for all sizes: 60 kN (dynamic), 84 kN (static).  
 NL = Nominal length, NW = Nominal width, LE = Lip extension, LH = Leveller height,  
 A = Level equalisation above dock, B = Level equalisation below dock.  
 Other load capacities and sizes are available on request.

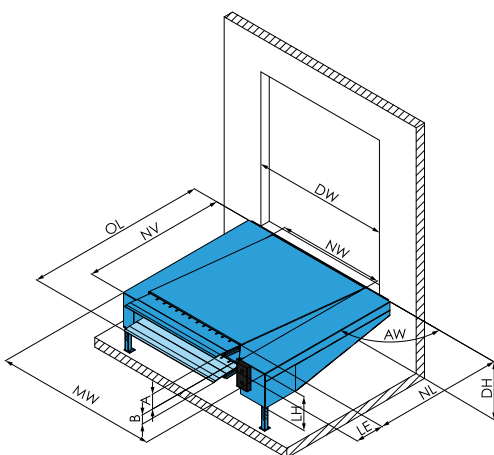
More information



## Loading ramp with telescopic lip leveller

### Type PAT

The PAT ramp is a complete loading system which is mounted in front of a door opening or a building as a self-supporting unit. It consists of a hydraulic dock leveller with a telescopic lip and lateral treads which are reinforced on their bottom side. The PT leveller of the PAT system is operated at the touch of a button and after exact positioning the telescopic lip automatically follows the movements of the vehicle during the loading or unloading process (automatic floating position). The big advantage of this type of dock leveller is the maximum flexibility of the lip contact length. Thanks to this feature effective loading and unloading even of vehicles that are not completely correctly positioned can be guaranteed and time-consuming and complicated repositioning of the vehicle is not necessary.



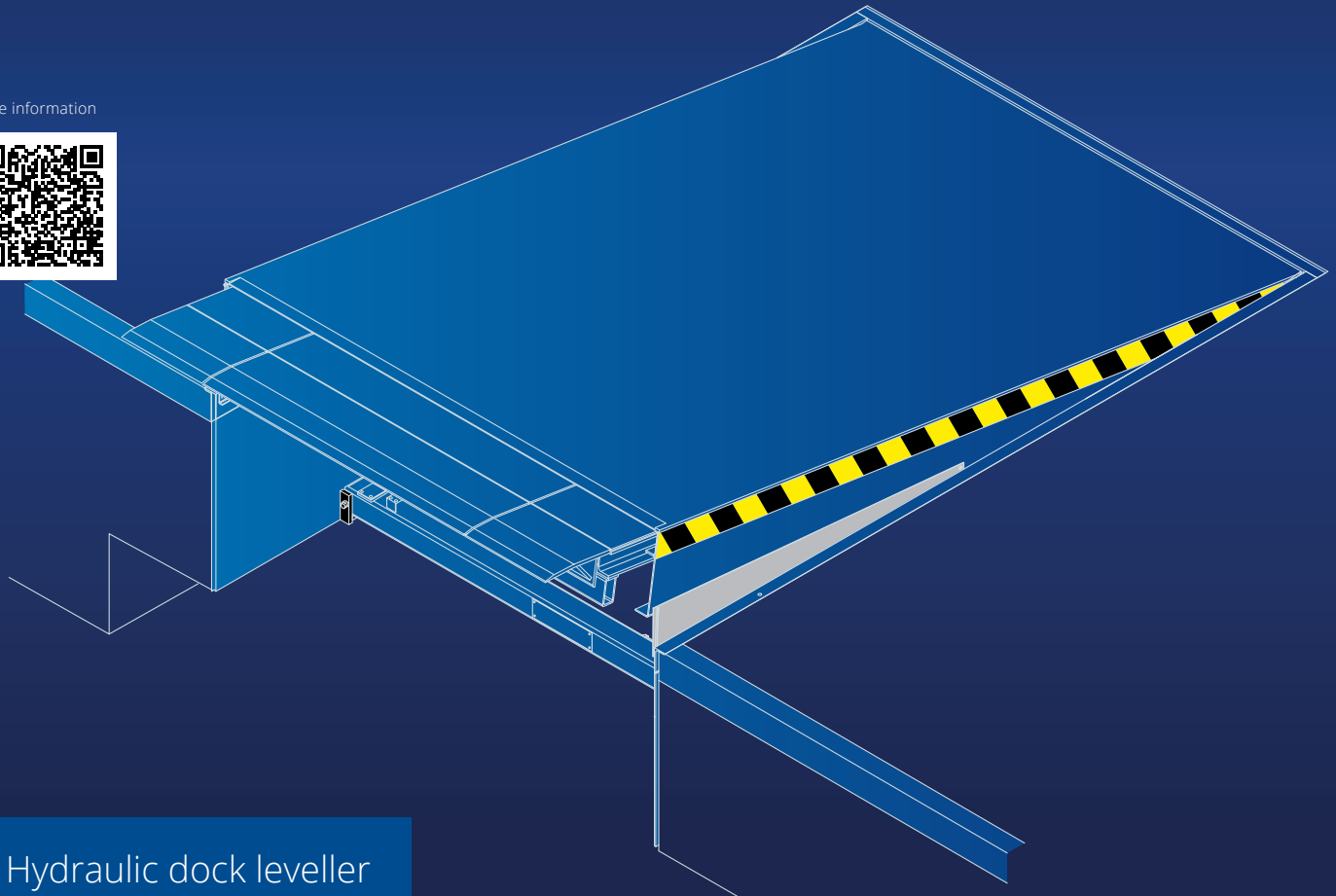
Dock leveller		LE = 500			LE = 1.000		
NL	LH	A	B	OL	A	B	OL
2.000	700	315	405	2.500	380	480	3.000
2.450	700	470	400	2.950	560	470	3.450
3.000	700	430	380	3.500	500	430	4.000
3.500	800	500	500	4.000	590	500	4.500

NW = 2.000, 2.200, 2.250, 2.400 for all sizes

MW = 3.300, 3.500, 3.600 for all sizes

All dimensions in mm. Load capacity for all dimensions: 60 kN (dynamic), 84 kN (static).  
 NV = Loading ramp nominal length (NL + 20), NL = Dock leveller nominal length,  
 NW = Dock leveller nominal width, OL = Overall length, LE = Lip extension, LH = Leveller height,  
 DH = Dock height, DW = Dock width, MW = Loading ramp module width, A = Level equalisation above dock,  
 B = Level equalisation below dock, AW = Installation angle. (All loading ramps available standard installation angles of 90°, 45°/135°, 60°/120° and 75°/105°. Further angles are available on request.)

More information

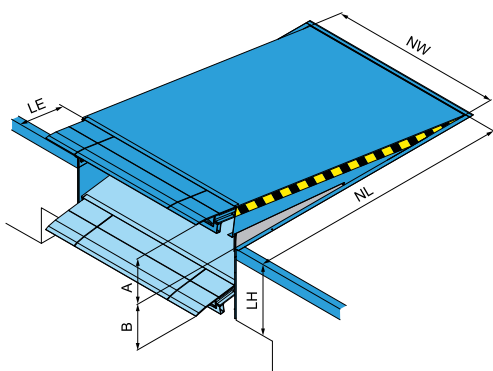


Hydraulic dock leveller  
with segmented  
telescopic lip

Type PTU

PROMStahl's new product, the **PTU**, is a **stationary electro-hydraulic dock leveller with a segmented telescopic lip**. It represents the optimal solution for loading and unloading different types of vehicles like for example lorries and vans. This versatility leads to enormous cost savings.

The most important feature of this type of leveller is its segmented (3-part) telescopic lip. Depending on the type of vehicle docked (lorry or van) the operator chooses the related mode of operation on the control unit. For vans, only the 1.200 mm segment in the middle of the telescopic lip is extended. In this case the leveller's load capacity is 20 kN. Thanks to the PTU's special design, the weight on the van is hydraulically reduced to about 100 kg.



Dock leveller			LE = 500		LE = 1.000	
NL	NW	LH	A	B	A	B
3.000	2.000	800	470	550	550	620
3.500	2.000	900	500	580	570	645
4.000	2.000	950	550	650	620	720
4.500	2.000	950	540	650	600	710

All dimensions in mm.

NL = Nominal length, NW = Nominal width, LE = Lip extension, LH = Leveller height,

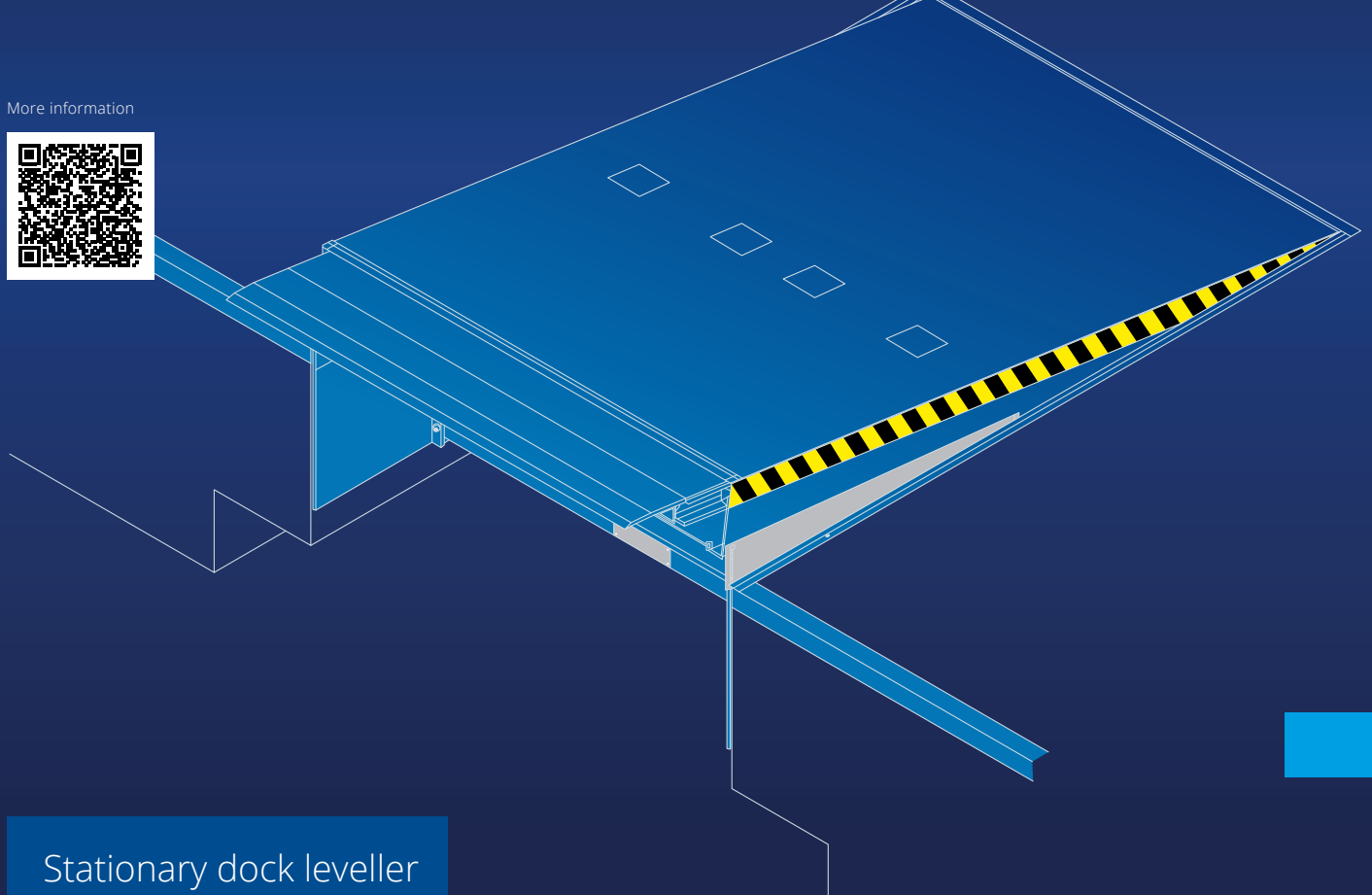
A = Level equalisation above dock, B = Level equalisation below dock.

Load capacity for vans: 20 kN; load capacity for lorries: 60 kN.

Other load capacities and sizes are available on request.



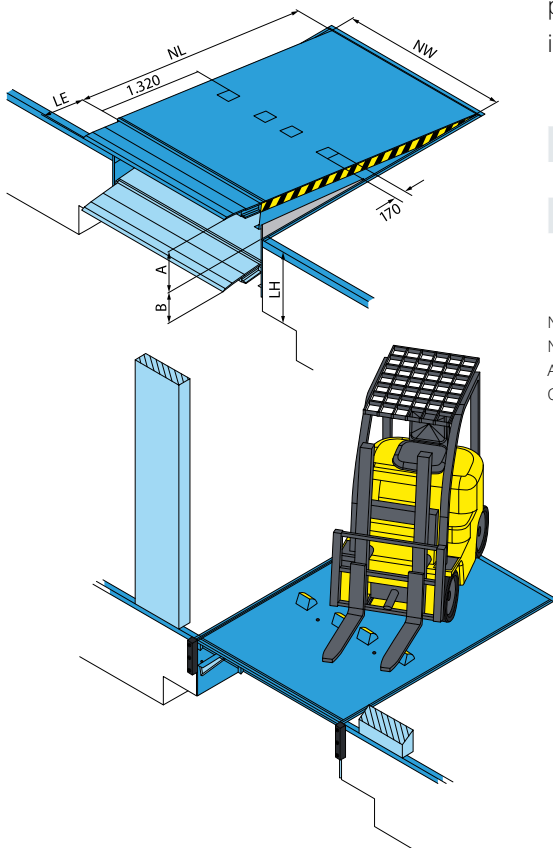
More information



## Stationary dock leveller with telescopic lip and Fall Guard safety device

### Type PTS

The PTS-type stationary dock leveller with telescopic lip and additional Fall Guard lock is a new design belonging to the wide range of PROMStahl products to further increase safety during loading and unloading. The rapid pace of work involving handling systems in storage places or warehouses can lead to many dangerous and even life-threatening situations. Bearing this in mind, PROMStahl decided to prevent this type of hazard by introducing the Fall Guard lock. When the dock leveller is in its rest position, four blocking chocks integrated into the platform, move upwards and hence form a stable safety device protecting forklift trucks and the loading staff from falling from the open ramp.



Dock leveller		LE = 500	
NL	LH	A	B
3.000	700	430	380
3.500	800	500	500

Nominal width (NW) 2.000, 2.250 for both sizes. All dimensions in mm.  
 NL = Nominal length, NW = Nominal width, LE = Lip extension, LH = Leveller height,  
 A = Level equalization above dock, B = Level equalization below dock.  
 Other load capacities and sizes are available on request.